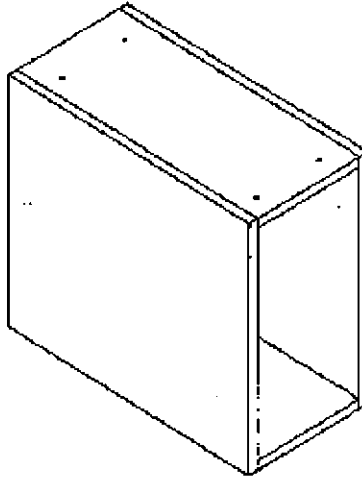



ASSEMBLY INSTRUCTIONS: HANGING CPU HOLDER (CPU-H)



HARDWARE			
	QUANTITY	PART NUMBER	DESCRIPTION
	4	1010542	#10-1 1/4" SCREW

INSTRUCTIONS

1. Place pedestal in desired location. Pedestal goes 3/4" back from front edge of top. Hold in place and screw up through pedestal top with four #10-1 1/4" screw.