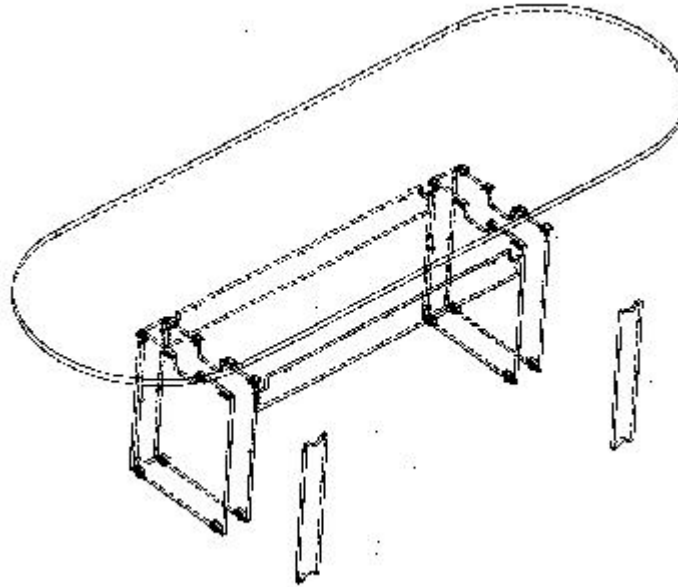


ASSEMBLY INSTRUCTIONS: ADMINISTRATION CONFERENCE TBL (ADM CONFERENCE)



HARDWARE		
QUANTITY	PART NUMBER	DESCRIPTION
50	1010543	#10-5/8" WOOD SCREW

INSTRUCTIONS

1. Lay top down on a clean, scratch free surface.
2. Screw bases down with screws provided.
3. Screw stretchers between bases.
4. Peel and stick wire management channel in desired location.
5. Turn table over.

NOTE: The base end panels pull off for easy wire access.