

MAKER[™] IDEA BOARD

a product of Paragon Furniture's MAKER FARM[™] Series

Thank you for purchasing a MAKER[™] Idea Board from Paragon Furniture. Enclosed in the box are the various hardware and components you will need to assemble the product. Review the PARTS LIST below to ensure all the hardware and components are included before you start assembly. Please follow the steps below in order to ensure your product is constructed properly.

If you have any questions throughout this process or with your product after set-up, please contact **Paragon Furniture Customer Service** at (800) 451-8646.

PARTS LIST



Upright Left
Qty: 1



Upright Right
Qty: 1



Board
Qty:1

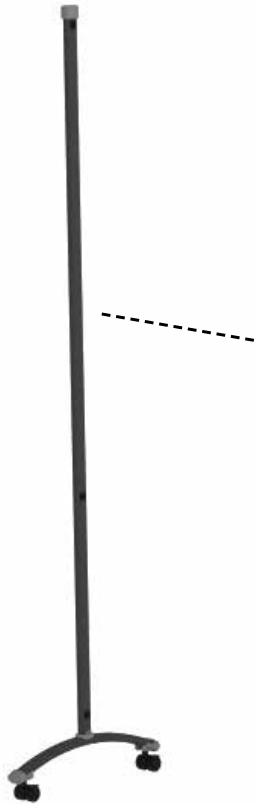


1/4-20 X 40M Joint
Connector Bolt
Qty:4

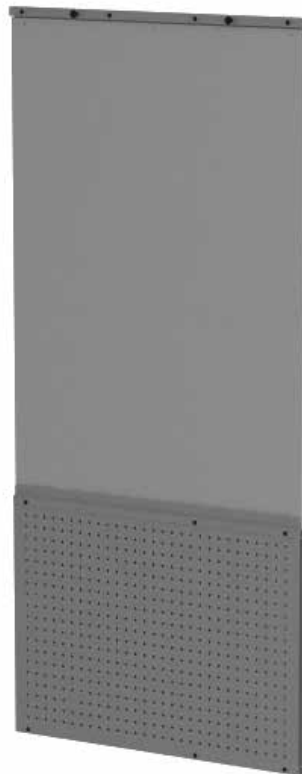


EXPLODED VIEW

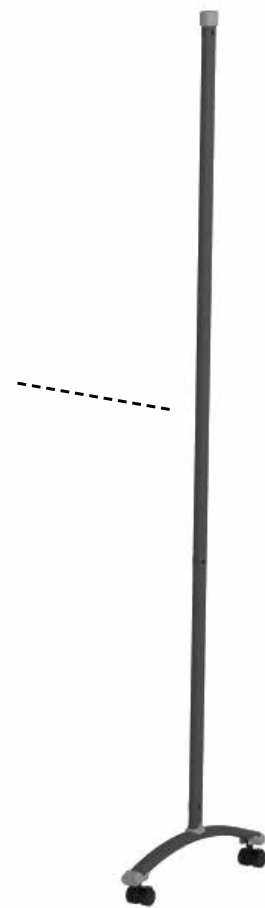
Upright Left



Board



Upright Right





STEP 1

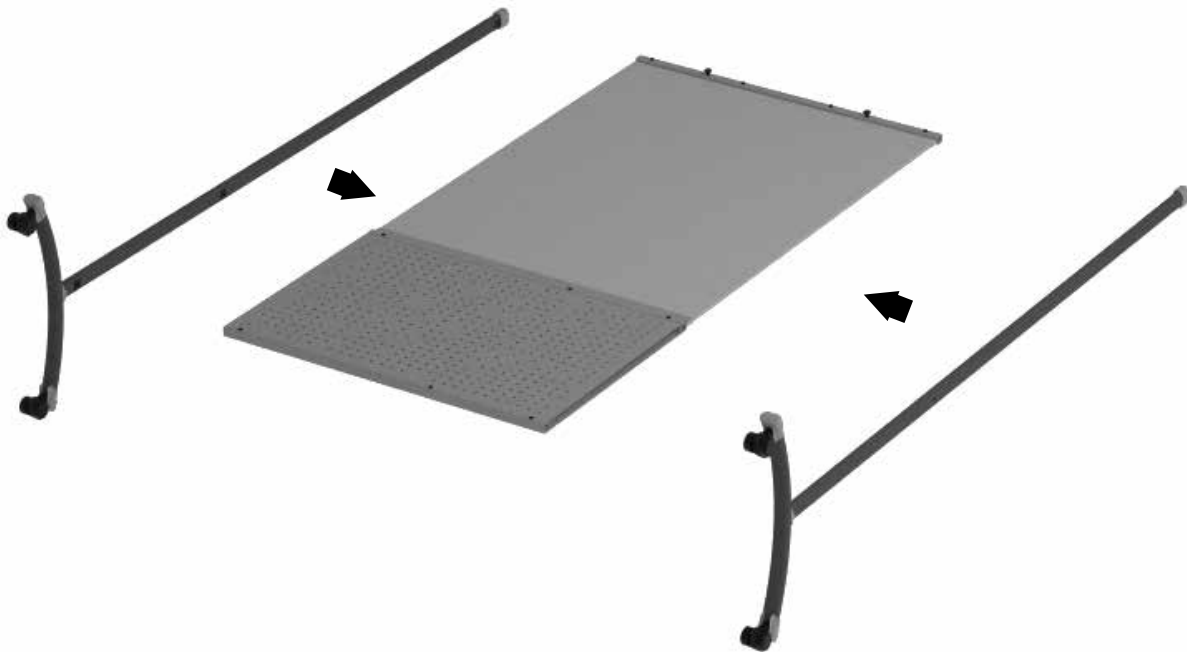
Lay **Board** horizontal on a flat surface.

Pro tip: Elevating Board to waist high assists in the assembly process, but is not necessary.



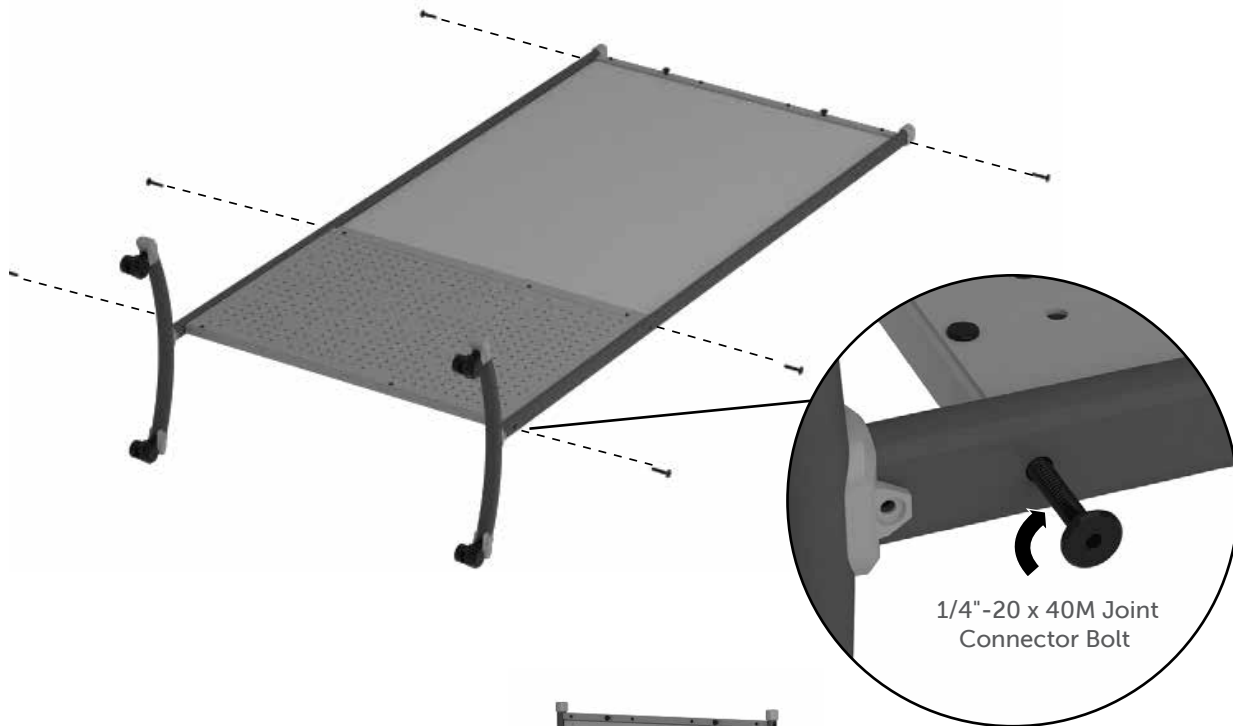
STEP 2

Place **Uprights** (Left & Right) on length of **Board** as shown.



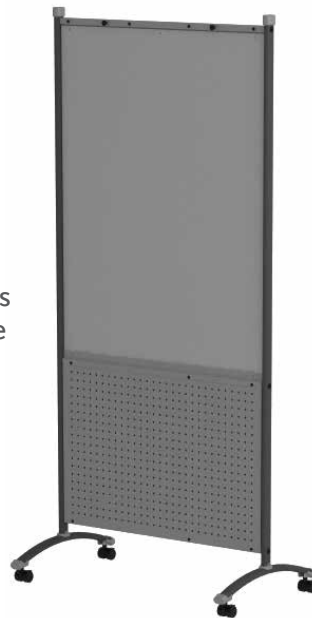
STEP 3

Affix assembly with three bolts on each side using 5/32" Hex Wrench.



NOTE: Hand tighten bolts first.

You can now place the MAKER[™] Idea Board in its upright position and use 5/32" hex wrench to tighten bolts firmly.



Assembly is now complete.