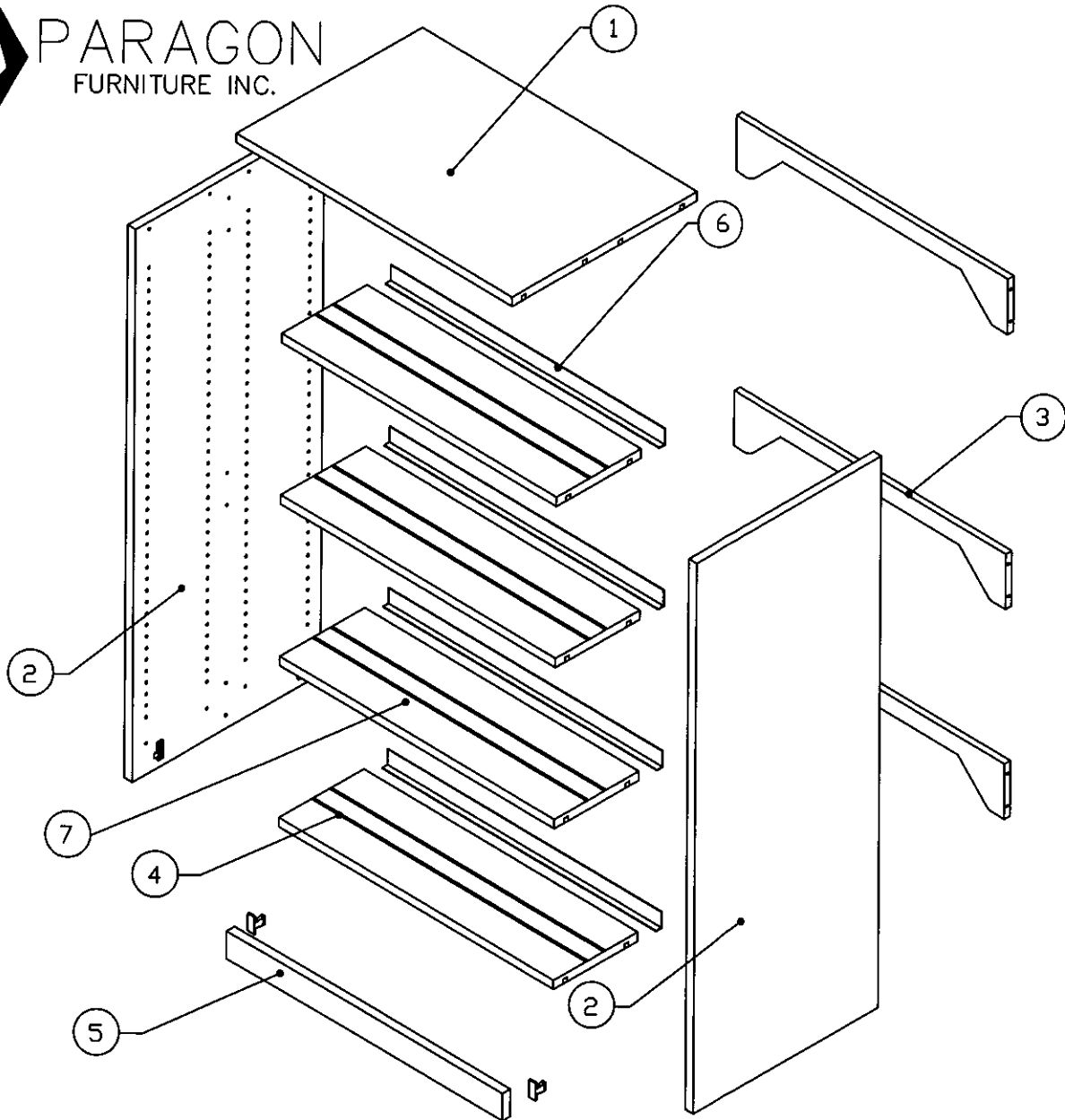




PARAGON
FURNITURE INC.

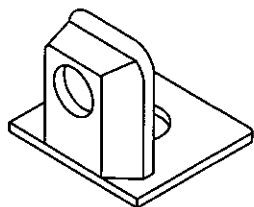


STEEL SHELVING

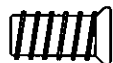
**ASSEMBLY INSTRUCTION FOR
42-PBDFS, 48-PBDFS, 60-PBDFS, 72-PBDFS, 84-PBDFS**

ITEM	DESCRIPTION	9001915	9001915	9001091	9001121	9001141
		42-PBDFS	48-PBDFS	60-PBDFS	72-PBDFS	84-PBDFS
1	TOP	1	1	1	1	1
2	END PANELS	2	2	2	2	2
3	UNITIZER BRACES	2	2	3	3	3
4	BOTTOM SHELVES	2	2	2	2	2
5	ACCENT BASE	2	2	2	2	2
6	DEFLECTASTOP	4	6	8	10	12
7	STEEL SHELVES	2	4	6	8	10

HARDWARE LIST



SCREW-IN TOP AND
BOTTOM CONNECTOR
(1010582)



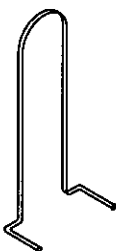
1/4" x 1/2"
ATTACHING SCREW
(1010585)



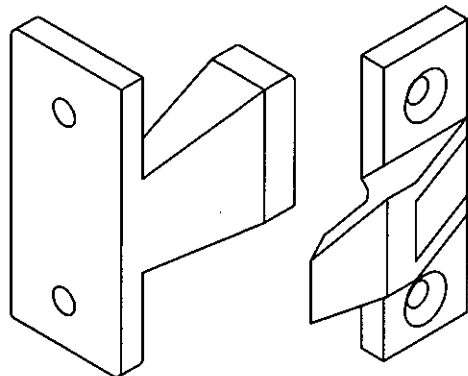
#8 x 3/4" FLAT
HEAD SCREW
(1010589)



STEEL SHELF PIN
(10105881)



PICTURE BOOK
WIRE
(9001485 WHEAT)
(9001480 CB)
(1010597 BLK)

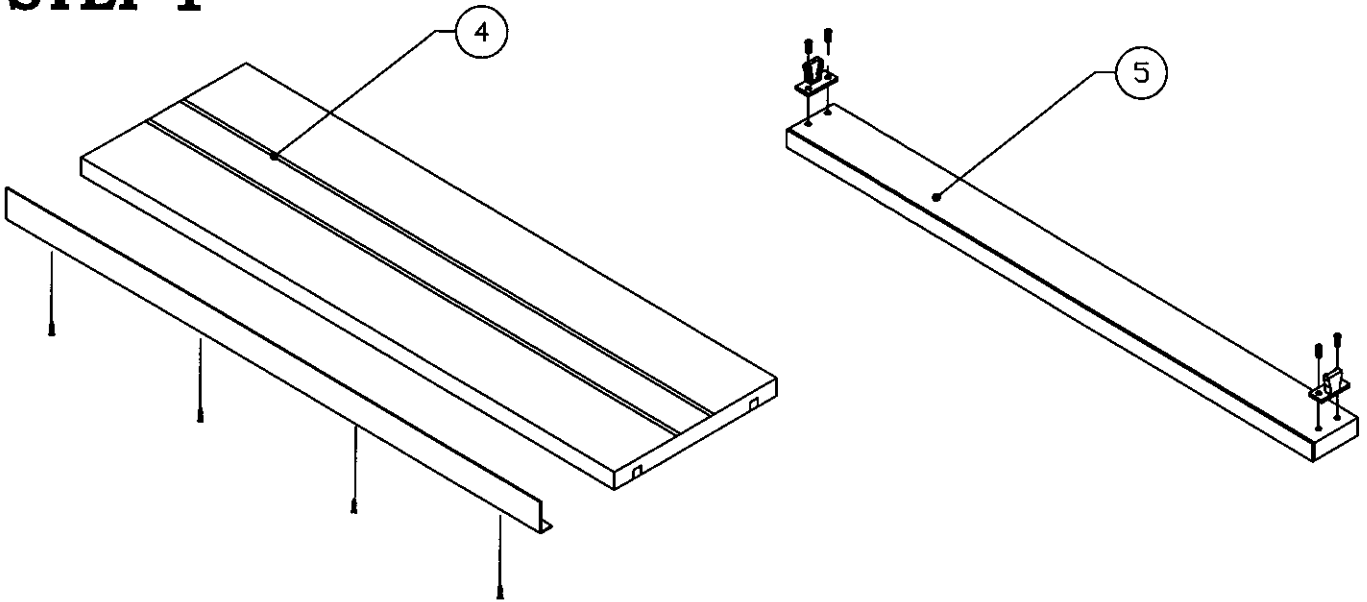


ACCENT BASE CONNECTORS
(1010584)

	QTY				
	42-DFS	48-DFS	60-DFS	72-DFS	84-DFS
SCREW-IN TOP AND BOTTOM CONNECTOR (1010582)	16	16	16	16	16
1/4" x 1/2" ATTACHING SCREW (1010585)	42	42	54	54	54
#8 x 3/4" FLAT HEAD SCREW (1010589)	8	8	8	8	8
STEEL SHELF PIN (10105881)	16	16	24	32	40
PICTURE BOOK WIRE (9001485 WHEAT), (9001480 CB), (1010597 BLK)	16	24	32	40	48
ACCENT BASE CONNECTORS (1010584)	4	4	4	4	4

NOTICE: WHEN INSTALLING STARTER AND ADDERS BE SURE TO LEVEL UNITS DURING INSTALLATION TO PREVENT DAMAGE TO THE SHELVING.

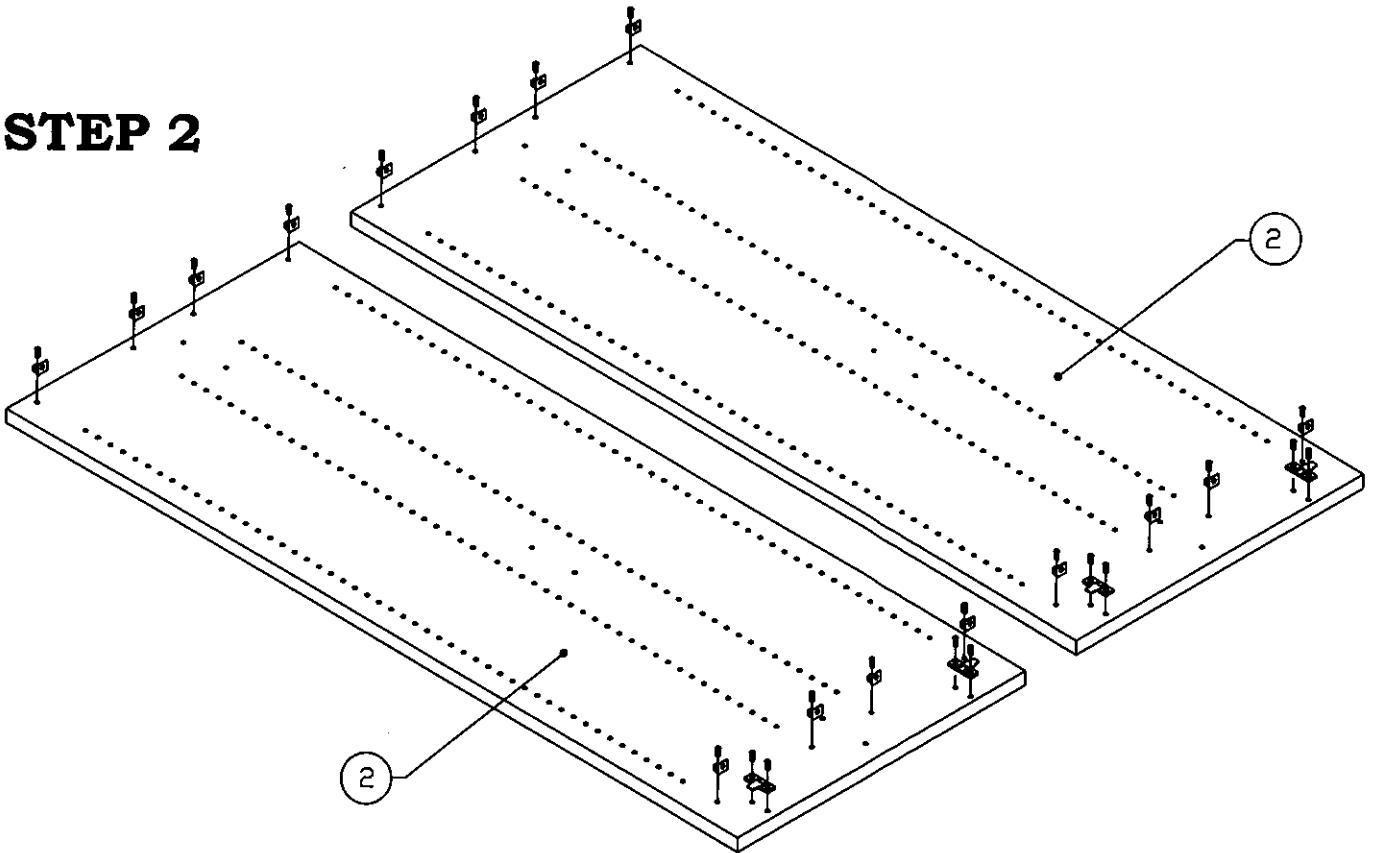
STEP 1



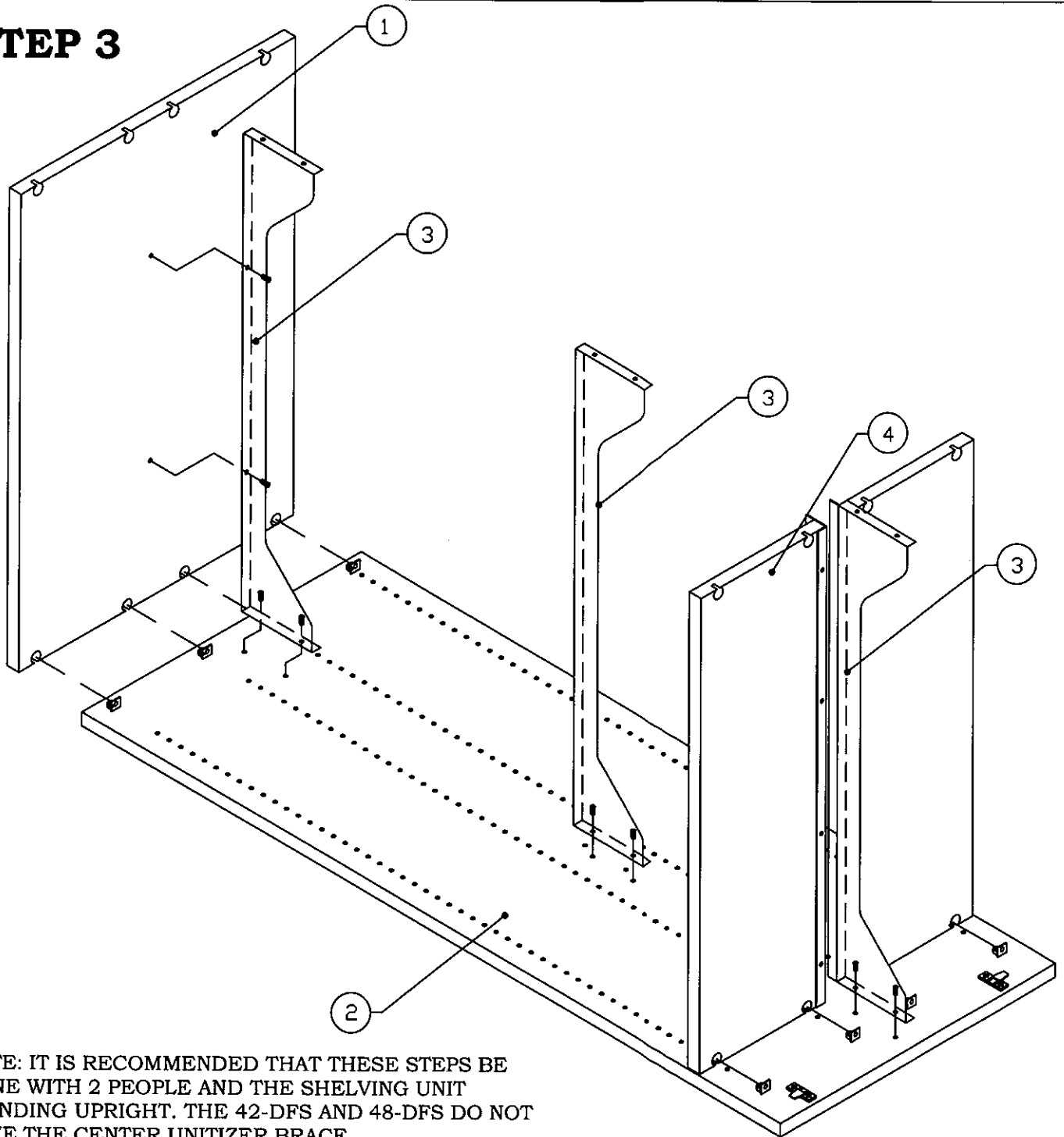
USING #8 X 3/4" FLAT HEAD SCREWS ASSEMBLE DEFLECTA-STOP TO BOTTOM SHELVES (ITEM 4).

USING 1/4" X 1/2" ATTACHING SCREWS ASSEMBLE FEMALE ACCENT BASE CONNECTORS TO ACCENT BASE (ITEM 5).

STEP 2



LAY END PANELS ON A CLEAN SCRATCH FREE SURFACE AND INSTALL THE SCREW-IN CONNECTORS AND MALE BASE CONNECTORS USING 1/4" X 1/2" ATTACHING SCREWS

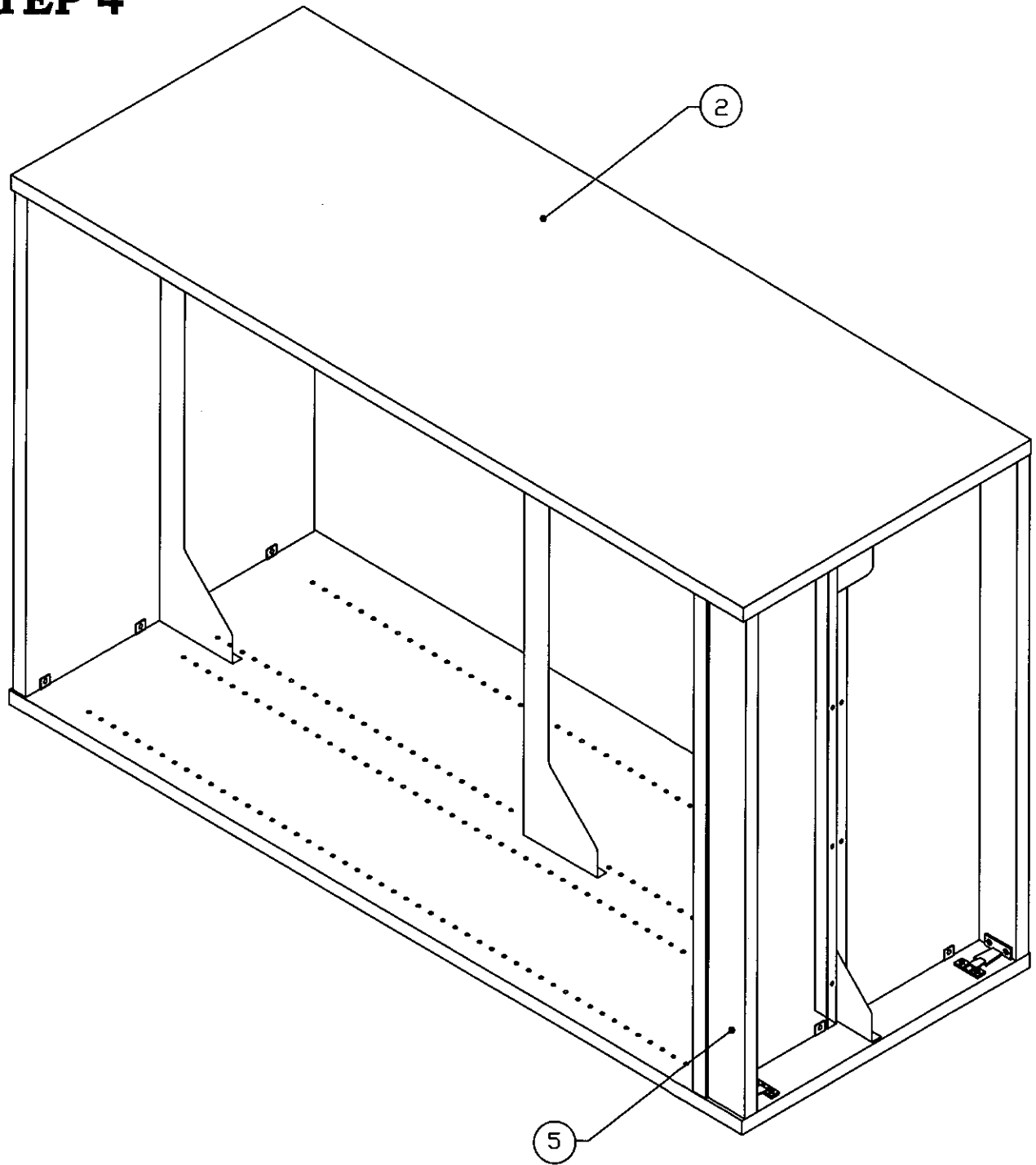
STEP 3

NOTE: IT IS RECOMMENDED THAT THESE STEPS BE DONE WITH 2 PEOPLE AND THE SHELVING UNIT STANDING UPRIGHT. THE 42-DFS AND 48-DFS DO NOT HAVE THE CENTER UNITIZER BRACE.

INSTALL UNITIZER BRACES (ITEM 3) WITH 1/4" X 1/2"

NEXT INSTALL TOP (ITEM 1) AND BOTTOM SHELVES (ITEM 4) BY TAPPING ONTO THE CONNECTORS AND LOCKING THEM INTO PLACE BY TURNING SCREW IN CONNECTORS 1/2 TURN CLOCKWISE.

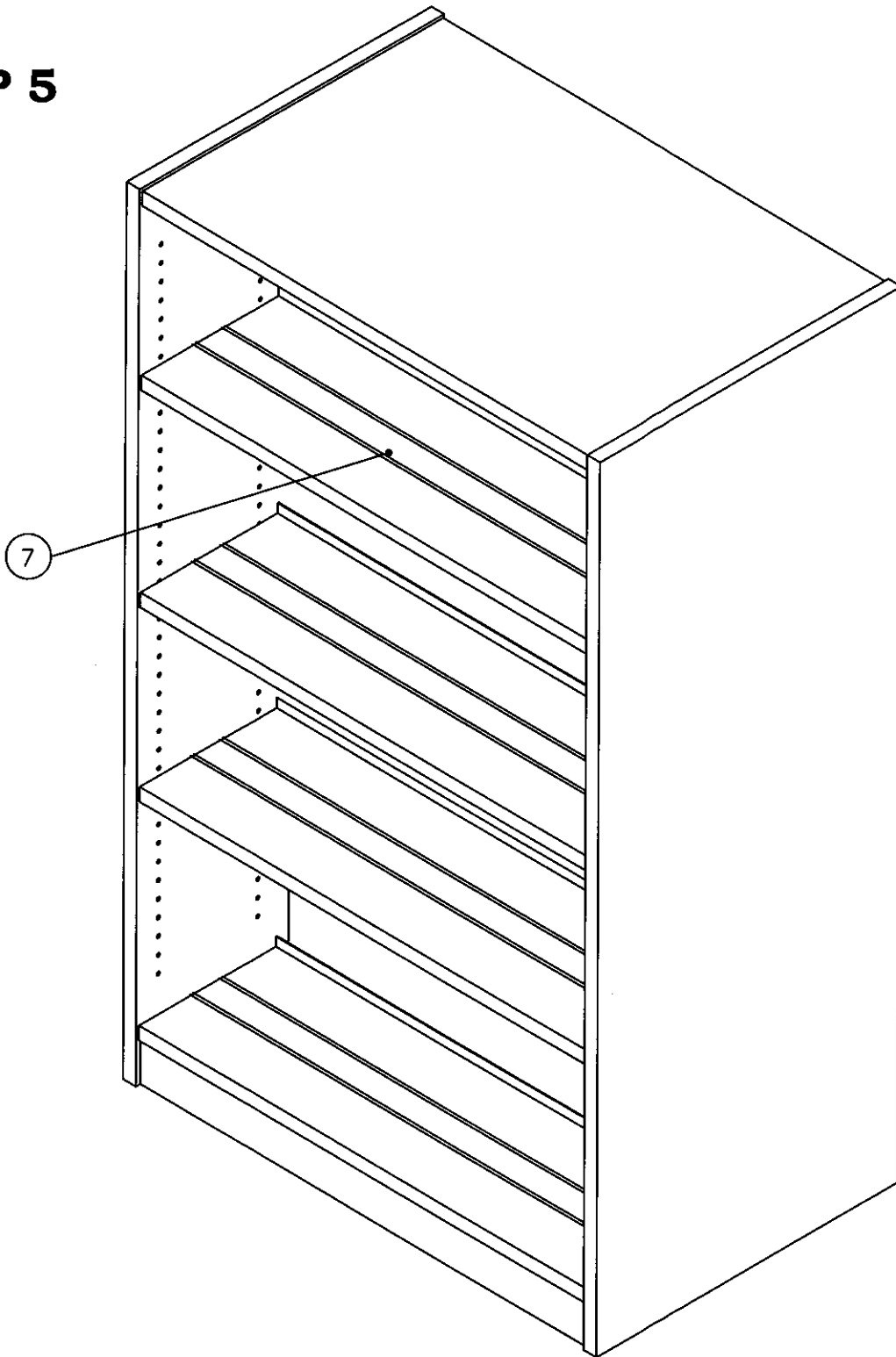
STEP 4



INSTALL END (ITEM 2) WITH THE SAME METHODS USED TO INSTALL LEFT END.

INSTALL ACCENT BASES (ITEM 5) BY TAPPING INTO PLACE.

STEP 5



INSTALL SHELVES IN DESIRED LOCATION AND LOCK INTO PLACE

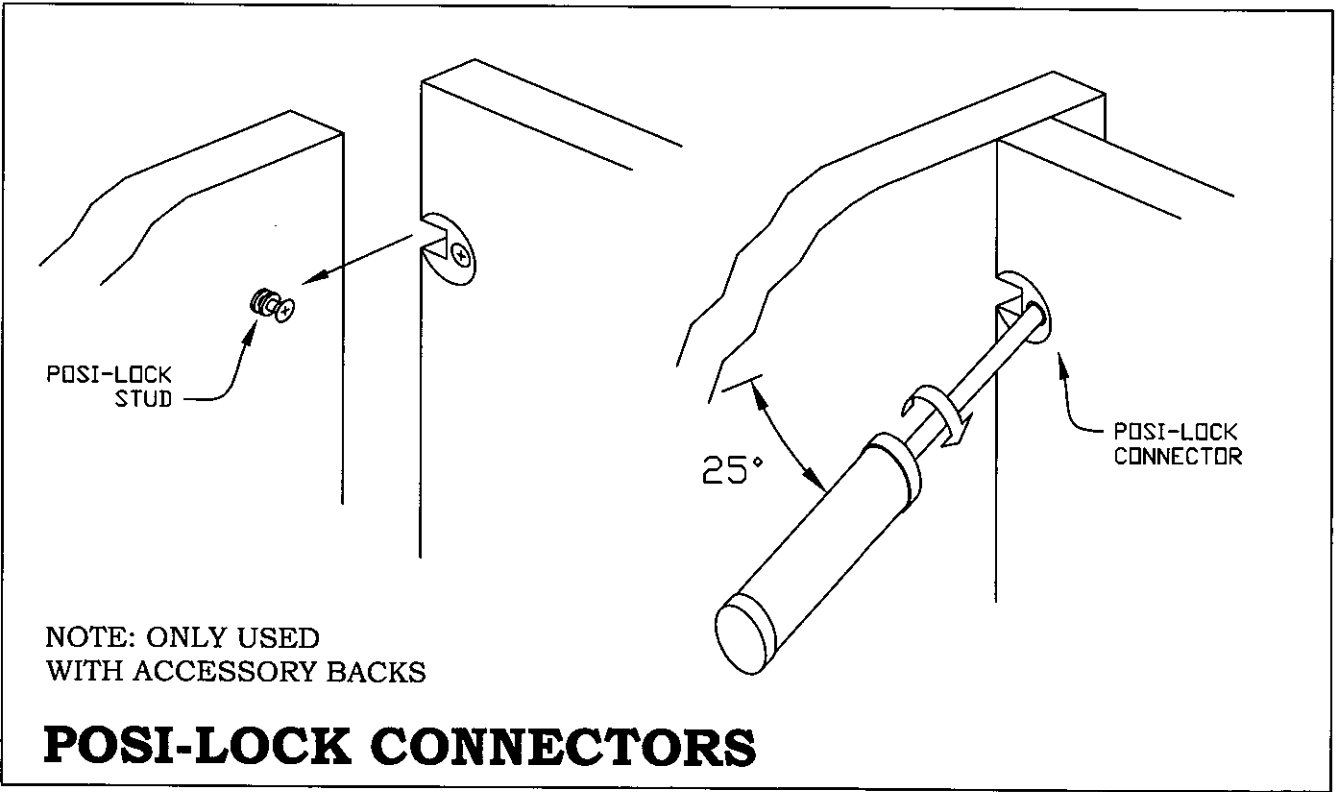
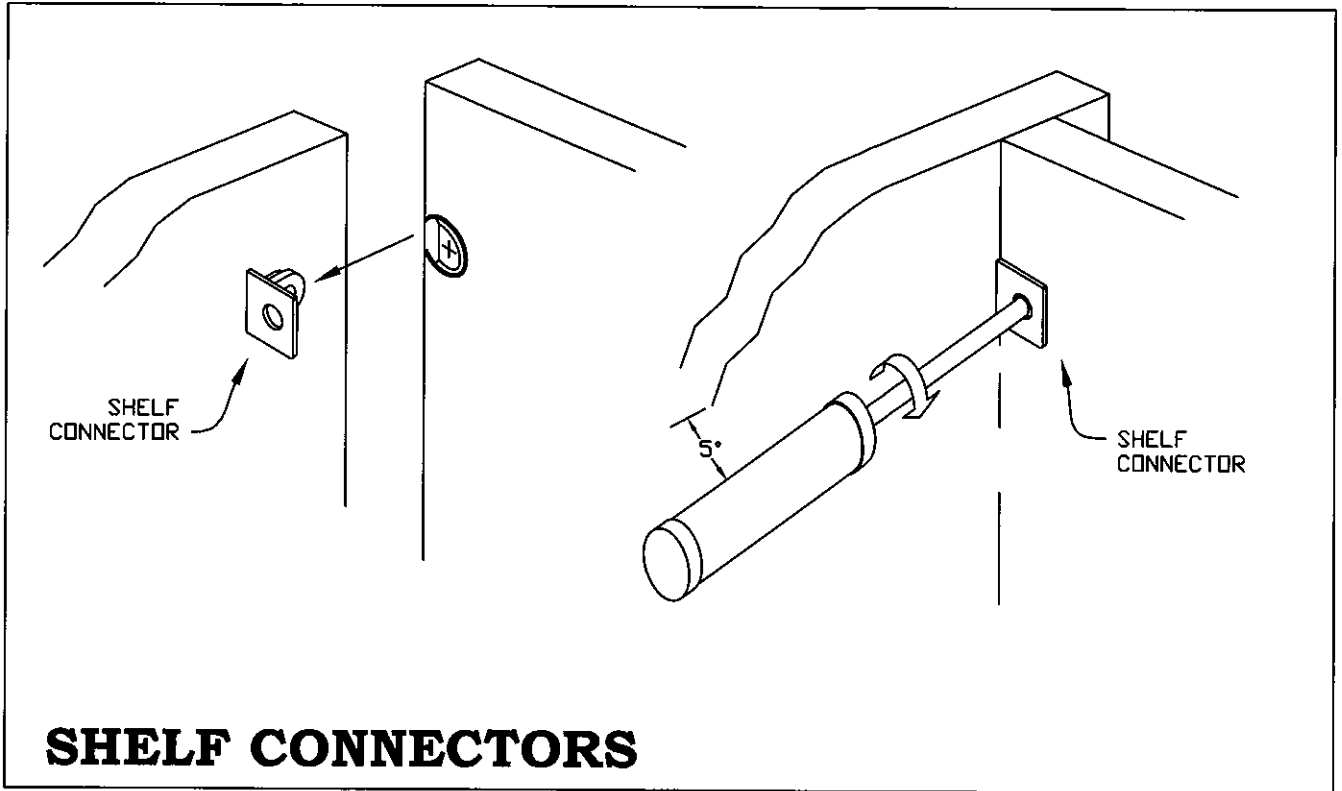
RECOMMENDED SHELF SPACING FROM THE BOTTOM UP

- 42-PBDFS PIN IN THE 13 HOLE
- 48-PBDFS PIN IN THE 10 AND 22 HOLES
- 60-PBDFS PIN IN THE 10 , 21 AND 32 HOLES
- 72-PBDFS PIN IN THE 10 , 21 , 32 AND 42 HOLES
- 84-PBDFS PIN IN THE 10 , 21 , 32 , 42 AND 52 HOLES

NOTE: WE RECOMMEND INSTALLING ALL THE SHELF PINS BEFORE THE SHELVES. ON THE 60", 72" AND 84" THE CENTER SHELF SHOULD BE SCREWD IN USING 4, 1/4" X 1/2" ATTACHING SCREWS

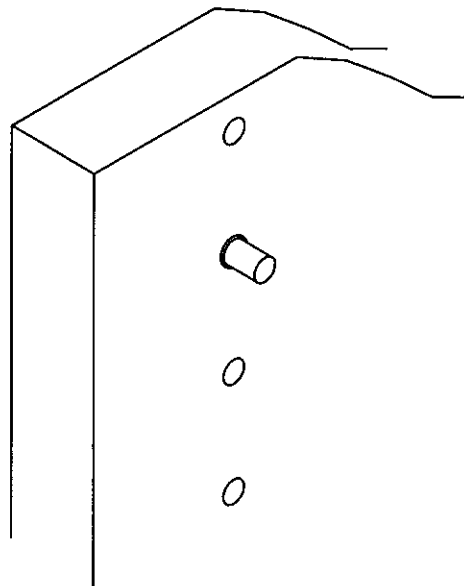
SHOULD YOU NEED ASSISTANCE CALL YOUR DEALER OR PARAGON AT 1-800-451-8546

CONNECTORS

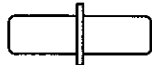


ASSEMBLY INSTRUCTION FOR METAL SHELVING

INSTALL DEFLECTASTOP SEE STEP 1 ON PAGE 3. INSTALL METAL SHELVES USE PUSH IN PINS AND PLACE THEM IN THE DESIRED LOCATIONS NOTE THAT ON THE 60", 72" AND 84" HIGH SHELVING THE CENTER SHELF NEED TO BE SCREWED IN USING 1/4" X 1/2" ATTACHING SCREWS.



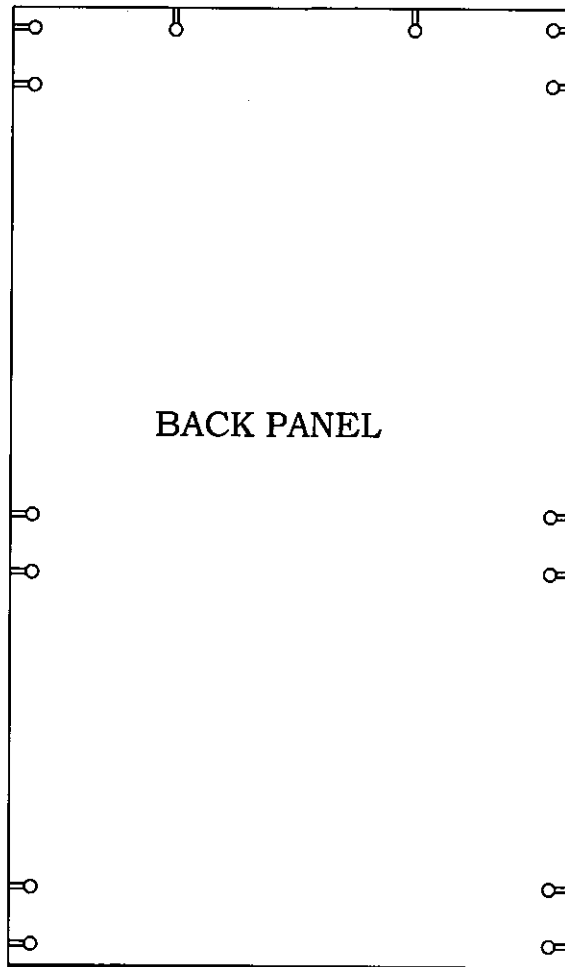
ITEM	DESCRIPTION	QTY.				
		42-DFS	48-DFS	60-DFS	72-DFS	84-DFS
1	ADJUSTABLE SHELF PINS	16	16	24	32	40





PARAGON
FURNITURE INC.

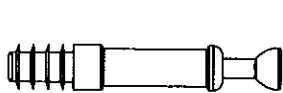
NOTE: THE SHELVING
ACCESSORY BACK
REPLACES THE
UNITIZER BRACES.



**ASSEMBLY INSTRUCTION FOR
ACCESSORY BACK
42-AB, 48-AB, 60-AB, 72-AB, 84-AB**

ITEM	DESCRIPTION
1	BACK PANEL

HARDWARE



CAM
SCREW

QTY.

42-AB	48-AB	60-AB	72-AB	84-AB
10	10	14	14	14

1. INSTALL CAM SCREWS INTO HOLES ALONG BACK EDGES OF SHELVING END PANELS AND SHELVING TOP SCREW INTO PANEL UNTIL SHOULDER REST ON SURFACE OF PANEL (CENTER ON DOUBLE FACED UNITS).
2. TO ASSEMBLE SHELVING UNIT HOLD END PANEL IN UPRIGHT POSITION SLIDE BACK PANEL ONTO CAM SCREWS AND LOCK INTO PLACE BY TURNING THE CAM CLOCKWISE 210 DEGREES.
3. REPEAT STEP 2 WITH THE OTHER END PANEL
4. PUSH BOTTOM SHELF ONTO CONNECTORS AND LOCK INTO PLACE BY TURNING THE SCREW IN CONNECTORS 1/2 TURN CLOCKWISE. (NOTE: YOU WILL NEED A SHORT STUBBY PHILLIPS SCREWDRIVER TO DO THIS).
5. INSTALL BASE WITH EDGE BANDED EDGE DOWN TOWARD THE FLOOR JUST LINE IT UP AND GIVE IT A FIRM PUSH ONTO THE CONNECTORS.
6. INSTALL TOP PUSH DOWN ONTO CONNECTORS AND LOCK INTO PLACE.
7. INSTALL THE REST OF THE SHELVES IN THE DESIRED LOCATION.