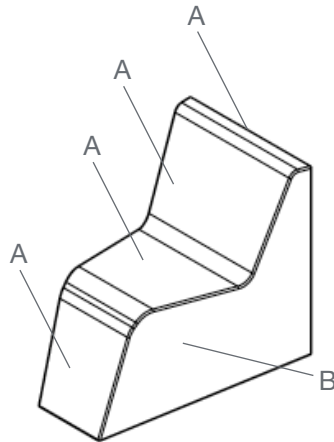


BLENDER® WAVE SEATING FABRIC LOCATION

Please see the diagram below and list fabric choice in accordance to desired location. Complete and return with your purchase order.

Note: Upcharges will apply for models specified with two fabrics. Refer to specifications book for details or call Paragon® at (800) 451-8546.



BLENDER® WAVE				FABRIC PROVIDED BY	
MODEL #: _____				CUSTOMER	PARAGON
LOCATION	MANUFACTURER	PATTERN / COLORWAY	(MOMENTUM OR COM FABRICS)	(MOMENTUM FABRICS ONLY)	
A	Front & Back		Please check box that applies		
B	Sides				

Project Name: _____ Project #: _____ Quote #: _____

Signature: _____ Date: _____ Order #: _____

