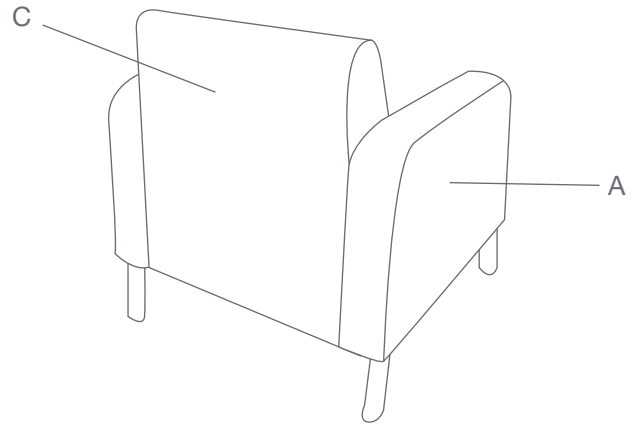
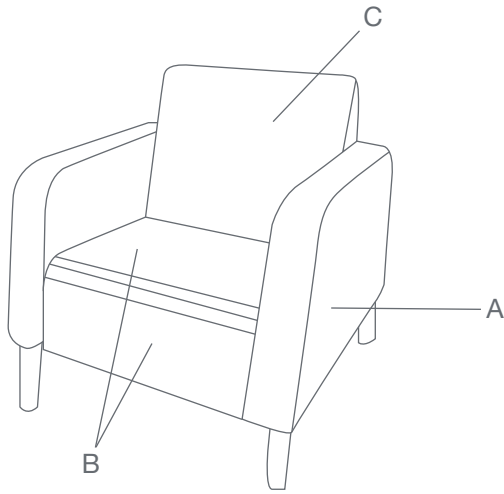


**MOTIV® SEATING FABRIC LOCATION SIGN-OFF**

Please see the diagram below and list fabric choice in accordance to desired location. Complete and return with your purchase order.

**Note:** Upcharges will apply for models specified with two or more fabrics or leathers. Refer to specifications book for details or call Paragon® at 800-451-8546.



ARMED CHAIR				FABRIC PROVIDED BY	
MODEL #: _____				CUSTOMER	PARAGON
LOCATION		MANUFACTURER	PATTERN / COLORWAY	(MOMENTUM OR COM FABRICS)	(MOMENTUM FABRICS ONLY)
A	Arms			Please check box that applies	
B	Seat				
C	Back				

Customer is responsible for purchasing all COM fabrics.

Project Name: \_\_\_\_\_ Project #: \_\_\_\_\_ Quote #: \_\_\_\_\_

Signature: \_\_\_\_\_ Date: \_\_\_\_\_ Order #: \_\_\_\_\_

