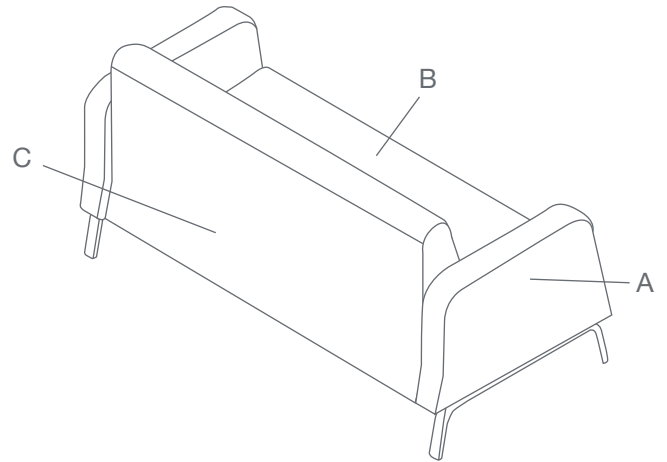
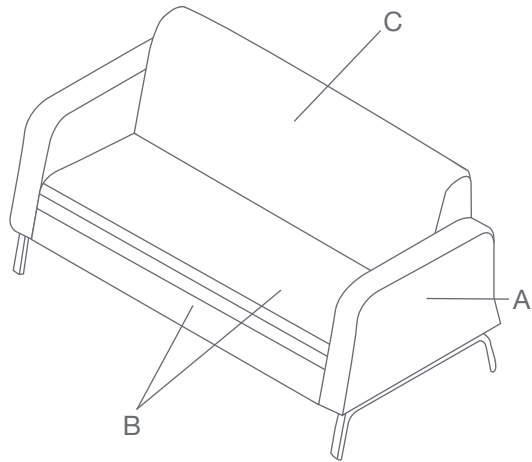


MOTIV® SEATING FABRIC LOCATION SIGN-OFF

Please see the diagram below and list fabric choice in accordance to desired location. Complete and return with your purchase order.

Note: Upcharges will apply for models specified with two or more fabrics or leathers. Refer to specifications book for details or call Paragon® at 800-451-8546.



ARMED SOFA				FABRIC PROVIDED BY	
MODEL #: _____				CUSTOMER	PARAGON
LOCATION		MANUFACTURER	PATTERN / COLORWAY	(MOMENTUM OR COM FABRICS)	(MOMENTUM FABRICS ONLY)
A	Arms			Please check box that applies	
B	Seat				
C	Back				

Customer is responsible for purchasing all COM fabrics.

Project Name: _____ Project #: _____ Quote #: _____

Signature: _____ Date: _____ Order #: _____

