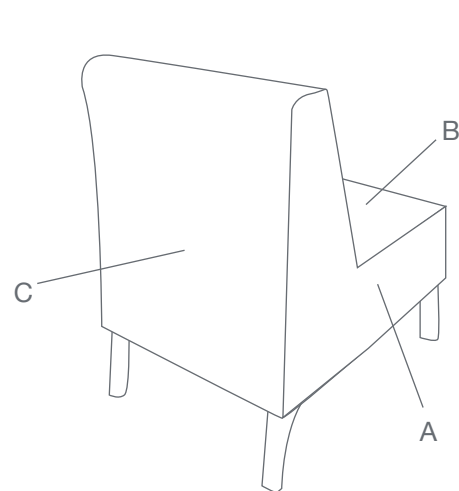
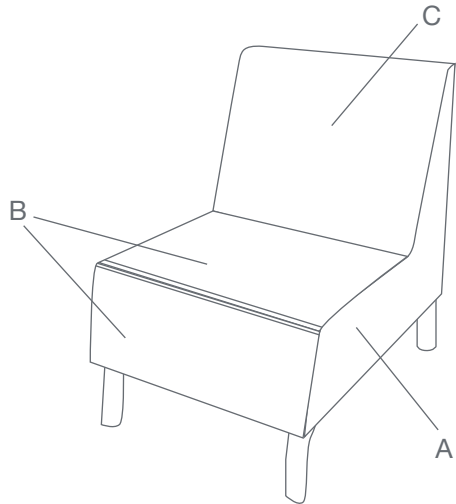


**MOTIV® SEATING FABRIC LOCATION SIGN-OFF**

Please see the diagram below and list fabric choice in accordance to desired location. Complete and return with your purchase order.

**Note:** Upcharges will apply for models specified with two or more fabrics. Refer to specifications book for details or call Paragon® at 800-451-8546.



ARMLESS CHAIR				FABRIC PROVIDED BY	
MODEL #: _____				CUSTOMER	PARAGON
LOCATION	MANUFACTURER	PATTERN / COLORWAY	(MOMENTUM OR COM FABRICS)	(MOMENTUM FABRICS ONLY)	
A	Sides		Please check box that applies		
B	Seat				
C	Back				

Customer is responsible for purchasing all COM fabrics.

Project Name: \_\_\_\_\_ Project #: \_\_\_\_\_ Quote #: \_\_\_\_\_

Signature: \_\_\_\_\_ Date: \_\_\_\_\_ Order #: \_\_\_\_\_

