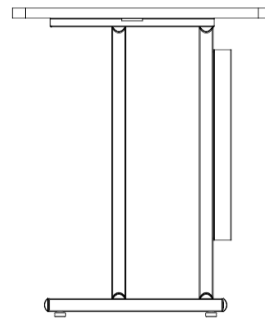
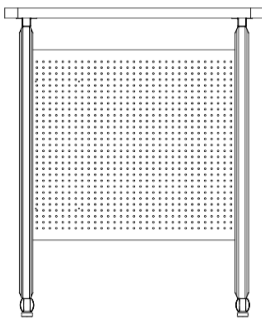
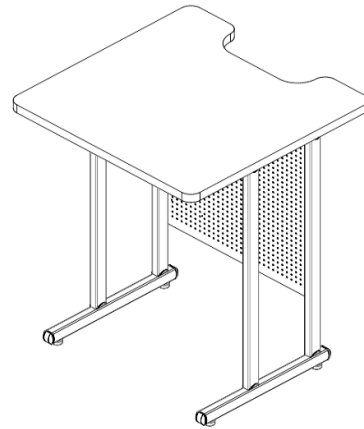
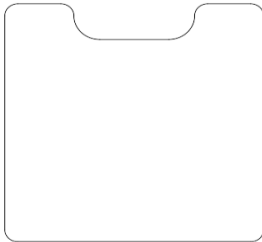


STANDING DESK WORKSTATION



STANDING DESK WORKSTATION

Paragon Standing Desks are designed & manufactured specifically for education environments. They are flexible, functional, durable & look great, too!

SPECIFICATIONS

- High-Density, High-Pressure Laminate Surface Edge Banding
- Fixed-Height, Double Post Steel Legs
- Rear Steel Stability Panel
- Reinforced Steel Top Support
- Built-in Cable Management Channel

, SIZE OPTIONS

- 30" Wide
- 42" Wide

COLOR OPTIONS

- Frame Available in 5 Powder-Coat Options
- All Standard Laminate Options
- See Paragon Color Guide for Details

MODEL NUMBER

- IT-SWC30
- IT-SWC42

For Full Details with all Model Numbers Visit:

[Paragoninc.com/standing-desk](https://www.paragoninc.com/standing-desk)

Or Refer to the Paragon Price List