



# **OCCASIONAL TABLE** **ASSEMBLY INSTRUCTIONS**

## **INVENTORY OF PARTS**

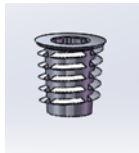
**TABLE TOP**  
QTY: 1



**¼-20 PAN HEAD  
SCREWS**  
QTY: 16



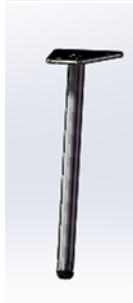
**¼-20 INSERTS**  
QTY: 16



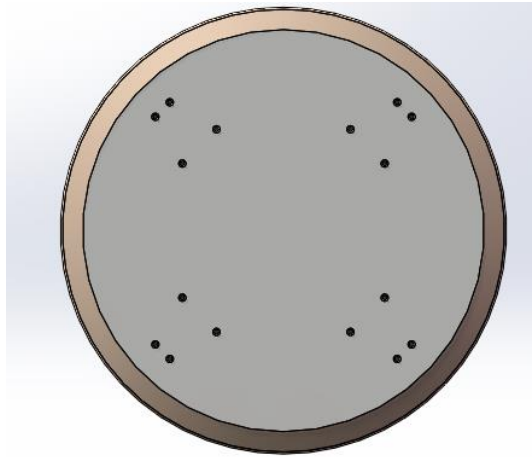
**GLIDES**  
QTY: 4



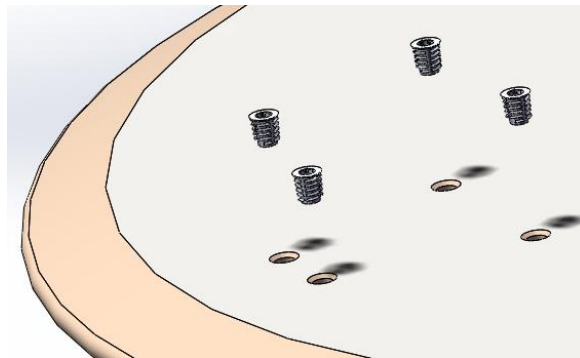
**LEGS**  
QTY: 4



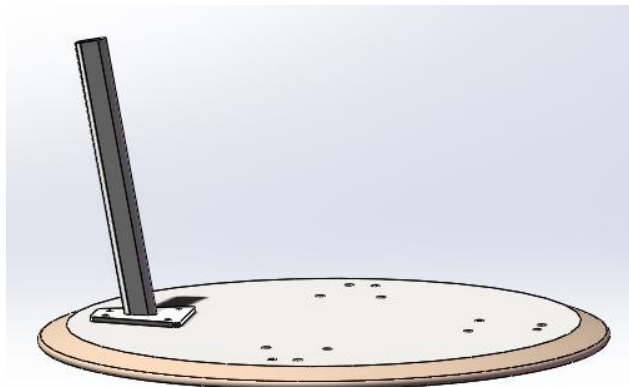
**STEP 1.** Lie table bottom side up on a smooth, clean surface.



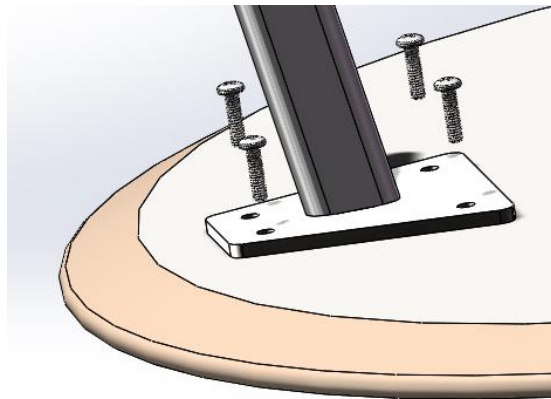
**STEP 2.** Note that inserts are installed already. (COMPLETED IN HOUSE BY PARAGON)



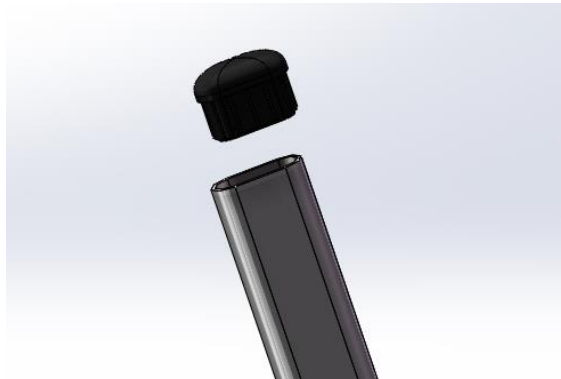
**STEP 3.** Align leg plate holes with table top holes.



**STEP 4.** Fasten legs to the top by installing screws. If using a drill, first tighten with screw driver.



**STEP 5:** Install leg glides on the other end of the leg tube. Repeat for the remaining legs.



**STEP 6:** Flip table right side up and test for proper sturdiness.