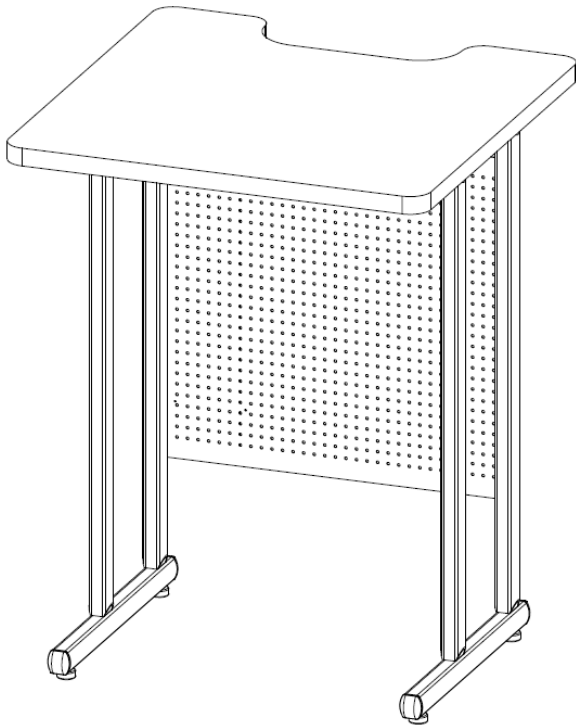


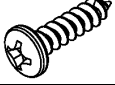


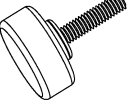


IT-SWC ASSEMBLY INSTRUCTIONS

PART IDs: *IT-SWC30-XXXXX*
IT-SWC40-XXXXX



HARDWARE NEEDED:

QTY.	DESCRIPTION	PART ID
4	#14 X 1.0 SHEET METAL SCREWS	1010683 
4	1/4" FLAT WASHERS	10105890 
12	10-32 X 3/4" MACHINE SCREWS	1010560 
4	FLOOR GLIDES	1010530 

TOOLS NEEDED:

- ELECTRIC DRILL
- PHILIPS BIT
- HEX BIT

1. Attach 4 glides (1010530) to legs by twisting into threaded holes.

2. Align top inserts to leg holes and fasten 12 machine screws (1010560) using an electric drill.

3. Align modesty panel holes with holes on legs. Fasten washers (10105890) and sheet metal screws (1010683) using an electric drill.

