



CHARGE BAR TABLES

Chargebar Tables create an ideal touchdown place to power up your devices & get some work done. The tables are built on an all-welded steel frame with a high-density HPL top. Chargebars are available in standing height or sitting height & come with Paragon's PD-Flip pop-up power, three outlet, two USB port surge protector.

FEATURES

○ SURFACE/EDGE

1 1/4" HPL with machine applied durable edge band.

○ FRAME

16-gauge 1x2" tubular frame welded to 14-gauge flattened oval tubular legs.

○ PD-FLIP

Pop-up power, 3 outlet, 2 USB port surge protector.

○ HEIGHT OPTIONS

Available in Standing Height of 42" as well as standard Sitting Height of 30".

○ COLOR OPTIONS

Five frame paint options with your choice of standard laminate colors for your top surface & multiple accents to choose from.



PD-Flip



CONFIGURING A MODEL NUMBER

Refer to the Model Numbers & Product Specs section for a list of all family part model numbers in this product line. Use the chart below as a reference for how to properly specify this product.

[**AT-AW-CHARGE BAR-722430**] - [**910**] [**B**] [**O**] [**R**]

Family Part

Work
Surface

Edge
Color

Frame
Color

Accent
Color

AT-AW-CHARGE BAR-722430

All-Terrain All-Welded

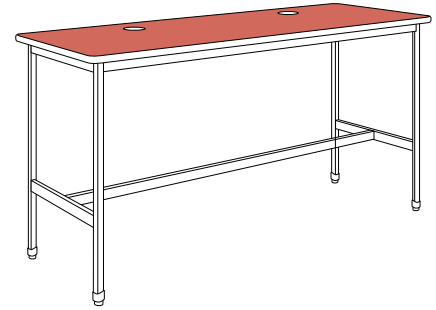
Chargebar

Table Dimensions

COLOR & FINISH OPTIONS

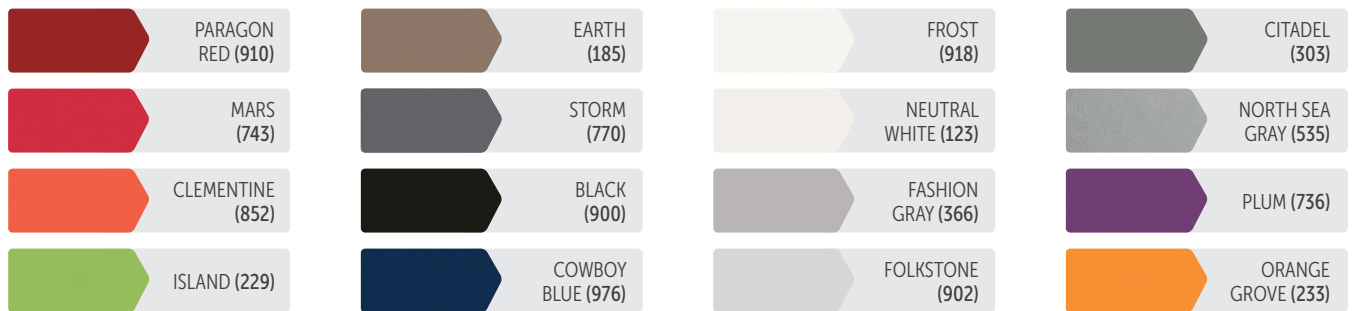
STEP 1 LAMINATE

Use the number next to the laminate name as the key code for **STEP 1**

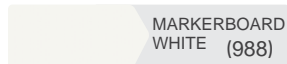


[FAMILY] - [WORK SURFACE]
[PART]

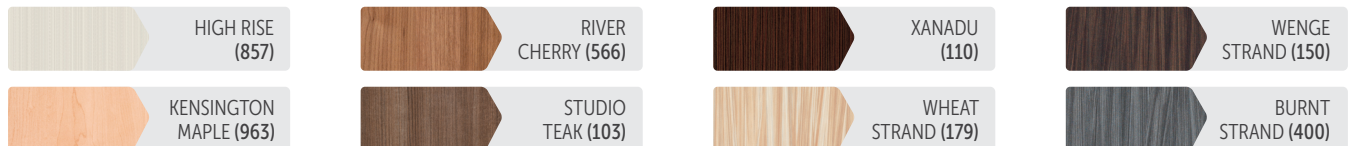
SOLID LAMINATE



WHITEBOARD LAMINATE



WOOD GRAIN LAMINATE



PATTERN LAMINATE



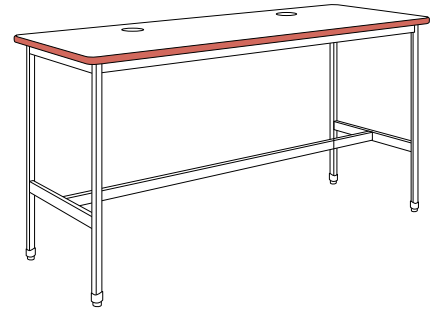


NEW COLORS

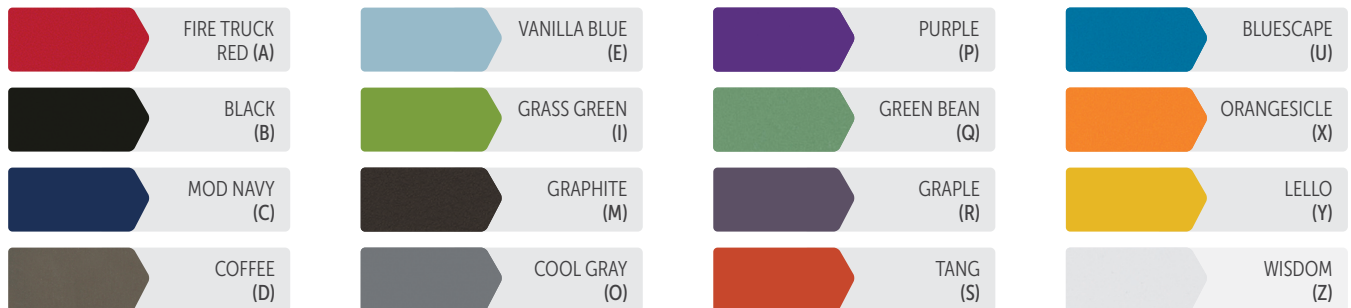


STEP 2
EDGE

Use the letter next to the color name as the key code for **STEP 2**

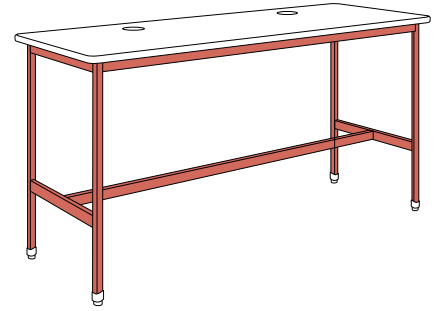


[FAMILY] - [WORK SURFACE] [EDGE COLOR]



STEP 3 FRAME

Use the letter next to the color name as the key code for **STEP 3**



[FAMILY] - [WORK SURFACE] [EDGE COLOR] [FRAME COLOR]



BLACK
(B)



TITANIUM
(T)



WISDOM
(Z)



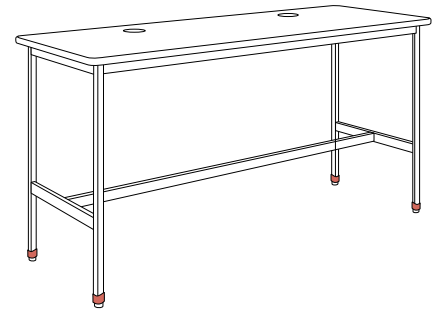
FLANNEL
(F)



COOL GRAY
(O)

STEP 4 PLASTIC ACCENTS

Use the letter next to the color name as the key code for **STEP 4**



[FAMILY] - [WORK SURFACE] [EDGE COLOR] [FRAME COLOR] [PLASTIC ACCENT]



FIRE TRUCK
RED (A)



VANILLA BLUE
(E)



PURPLE
(P)



BLUESCAPE
(U)



BLACK
(B)



GRASS GREEN
(I)



GREEN BEAN
(Q)



ORANGESICLE
(X)



MOD NAVY
(C)



GRAPHITE
(M)



GRAPLE
(R)



LELLO
(Y)



COFFEE
(D)



COOL GRAY
(O)

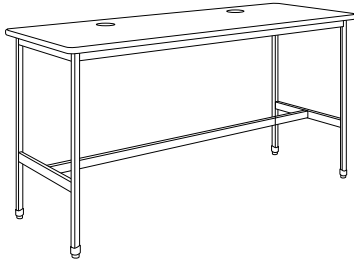


TANG
(S)



WISDOM
(Z)

MODEL NUMBERS & PRODUCT SPECS



CHARGE BAR TABLES

Model #	Width (in)	Depth (in)	Height (in)	Weight (lbs)	Dist. Between Legs (in)	Freight Class (Qty 1)
AT-AW-CHARGE BAR-722430	72	24	30	150	65	150
AT-AW-CHARGE BAR-722442	72	24	42	160	65	150
AT-AW-CHARGE BAR-842430	84	24	30	190	77	150
AT-AW-CHARGE BAR-842442	84	24	42	200	77	150
AT-AW-CHARGE BAR-962430	96	24	30	230	89	150
AT-AW-CHARGE BAR-962442	96	24	42	240	89	150
AT-AW-CHARGE BAR-723030	72	30	30	170	65	150
AT-AW-CHARGE BAR-723042	72	30	42	180	65	150
AT-AW-CHARGE BAR-843030	84	30	30	210	77	150
AT-AW-CHARGE BAR-843042	84	30	42	220	77	150
AT-AW-CHARGE BAR-963030	96	30	30	250	89	150
AT-AW-CHARGE BAR-963042	96	30	42	260	89	150

POWER PLACEMENT

