



CYCLE™ SERIES MOBILE STORAGE CREDENZA

The Cycle™ Series Mobile Storage Credenza combines modern design with functional versatility for today's dynamic learning environments. Featuring a locking cabinet for secure storage, this sleek credenza keeps classroom materials organized and within reach. Smooth-rolling casters allow effortless mobility, while durable construction ensures lasting performance. With clean lines and a refined aesthetic, the Cycle™ Series Mobile Storage Credenza brings both style and practicality to collaborative, flexible learning spaces.



HOW TO SPECIFY

FRAME

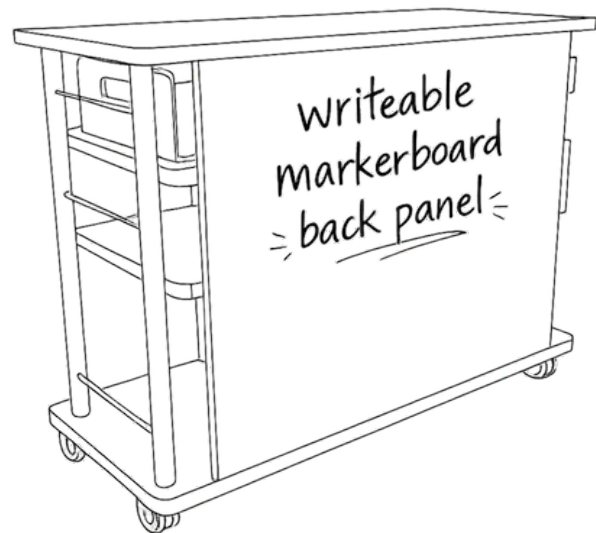
Frame constructed from 1½” 16-gauge round steel tubing combined with ¾” solid round steel rod. Features fully welded side panels for maximum strength and durability.

SHELVES/EDGE

Constructed with a 1” high-density fiberboard core and a premium high-pressure laminate surface. Each top features a precision machine-applied edge band for a seamless, long-lasting finish, while the underside is sealed with a weather-resistant phenolic resin paper for added protection and stability.

BACK PANEL

¾” thick double-sided high-density fiberboard core finished with high-pressure markerboard laminate.



STORAGE CABINET

¾” thick locking cabinet constructed with a high-density fiberboard core and durable thermally fused melamine (TFM) finish. Each cabinet features precision machine-applied edge banding for long-lasting durability.

CASTERS

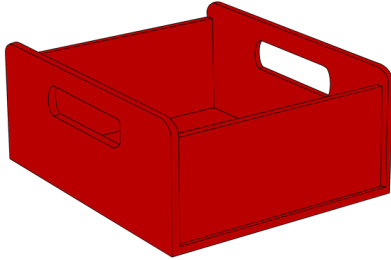
Equipped with (4) 3½” hubless, all-locking casters for smooth mobility and secure stability.

PET BINS

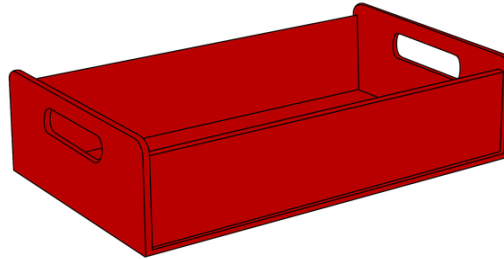
Cycle™ Series storage bins and caddies are constructed from PET material, offering durable performance with a strong focus on sustainability. PET material is 100% recyclable and contains a high percentage of recycled content, including post-consumer material derived from recycled plastic bottles. Storage bins and caddies are available in five color options, allowing for organized functionality and cohesive classroom design.

OPTIONAL STORAGE BIN ACCESSORIES

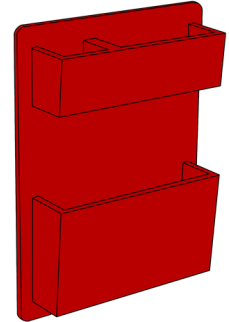
CYCLE PET STORAGE BIN SMALL



CYCLE PET STORAGE BIN LARGE



CYCLE PET HANGING STORAGE CADDY



CONFIGURING A MODEL NUMBER

Refer to the Model Numbers & Product Specs section for a list of all family part model numbers in this product line.

Use the chart below as a reference for how to properly specify this product.



[CYC-MSC204836] - [493] [CC] [CC]

Family Part

Laminate Color

Edge Color

Frame Color

CYC - MSC 204836

Cycle Series™

Mobile Storage Credenza

20" D x 48" W x 36" H

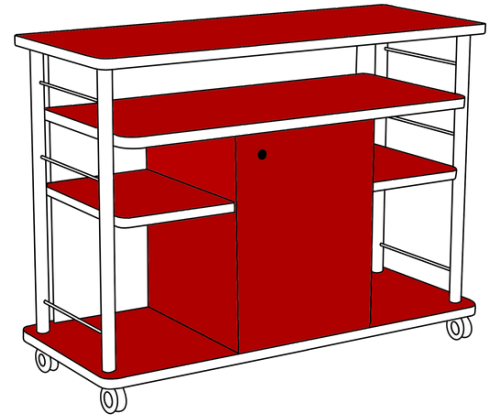
COLOR & FINISH OPTIONS

STEP 1

Use the code next to the laminate name as the key code for **STEP 1**

SHELVES / STORAGE

[FAMILY] - [SHELVES / STORAGE]
[PART] - [STORAGE]



SOLID LAMINATE / MELAMINE

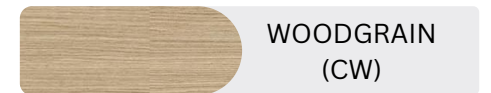
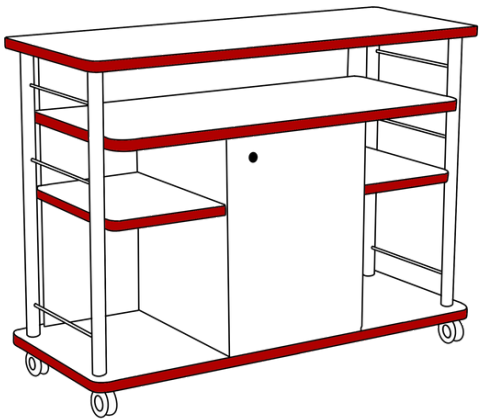


STEP 2

Use the code next to the color name as the key code for **STEP 2**

EDGE

[FAMILY] - [SHELVES / STORAGE] - [EDGE]
[PART] - [STORAGE] - [EDGE]

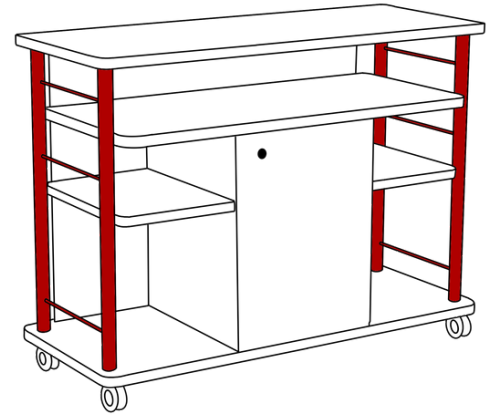


STEP 3

FRAME

Use the code next to the color name as the key code for **STEP 3**

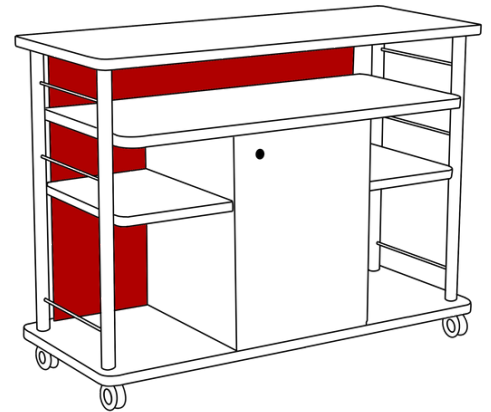
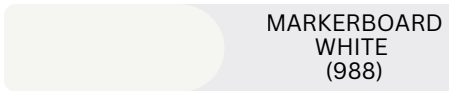
[FAMILY PART] – [SHELVES / STORAGE] – [EDGE] – [FRAME]



STANDARD

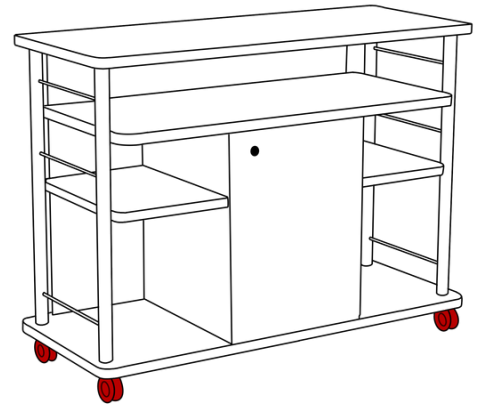
Back panel is a double-sided high-density fiberboard core finished with high-pressure markerboard laminate.

MARKERBOARD LAMINATE & MATCHING WHITE EDGE

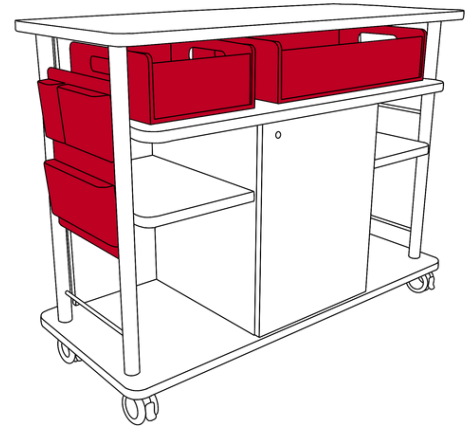
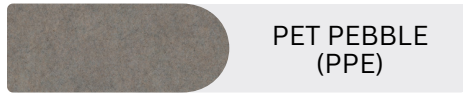


STANDARD

Casters come standard in the Onyx finish.



OPTIONAL STORAGE BIN ACCESSORIES



MODEL NUMBERS

CYCLE MOBILE STORAGE CREDENZA

Model #	Description
CYC-MS204836	Cycle Mobile Storage Credenza
CYC-BIN14126	Cycle PET Storage Bin Small
CYC-BIN14246	Cycle PET Storage Bin Large
CYC-CADDY	Cycle PET Hanging Storage Caddy



PRODUCT SPECS

CYCLE MOBILE STORAGE CREDENZA

Model #	Width (in)	Depth (in)	Height (in)	Weight (lbs)	Freight Class (Qty 1)
CYC-MS204836	48	20	36	175	85
CYC-BIN14126	12	14	6	5	85
CYC-BIN14246	24	14	6	5	85
CYC-CADDY	12	3.5	16.5	5	85