



## **CYCLE™ SERIES PERCH STOOL**

The Cycle™ Series Perch Stools bring modern design and ergonomic support to today's learning environments. Designed to promote healthy posture and strengthen core muscles, these stools keep students actively engaged while providing comfort throughout the day. Available in three heights, seated, counter and standing, the Cycle™ Series Perch Stools adapt to a variety of learning spaces and activities. With durable construction and clean lines, they're built to support both movement and focus in 21st century classrooms.



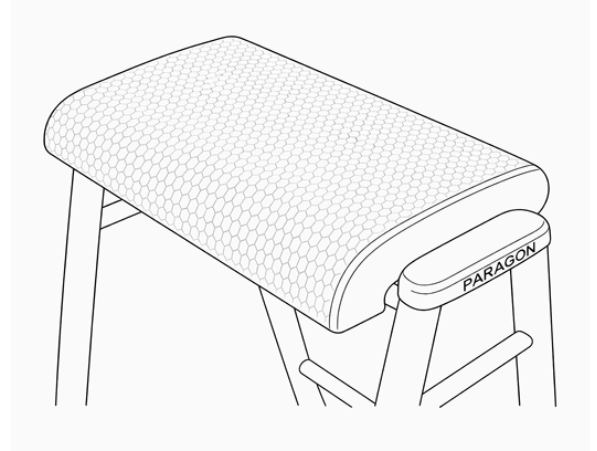
## HOW TO SPECIFY

### FRAME

All-welded frame constructed from 1 ¼" 18-gauge steel tubing, finished with rounded nylon end caps for protection and a clean appearance.

### SEAT

Blow-molded plastic seat in a standard Onyx finish, combining durability with comfortable support and featuring a lightly textured surface for added slip resistance.



### OPTIONS

Offered in three heights: 18", 24", and 28".

### BACKLESS SEAT

The backless design of the Cycle™ Series Perch Stool is intentionally crafted to promote active sitting and core engagement. By encouraging posture and natural movement, students strengthen their core muscles and improve focus throughout the day. This dynamic seating approach supports better circulation, energy, and attentiveness, helping create healthier, more active learning environments.

### STACKING

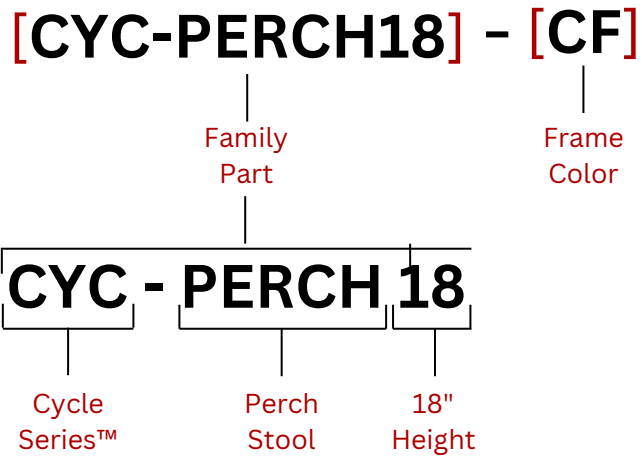
Cycle™ Series Perch Stools are designed with efficient storage in mind, stacking up to five stools high to maximize classroom space. All stool sizes are compatible for stacking, allowing easy organization and flexibility when rearranging or storing seating.



## CONFIGURING A MODEL NUMBER

Refer to the Model Numbers & Product Specs section for a list of all family part model numbers in this product line.

Use the chart below as a reference for how to properly specify this product.



## COLOR & FINISH OPTIONS

### STEP 1 FRAME

Use the code next to the color name as the key for **STEP 1**

**[FAMILY PART] - [FRAME]**



LAKE  
(CL)



FERN  
(CF)



AMBER  
(CA)



CLAY  
(CC)



PEBBLE  
(CP)



ONYX  
(CO)

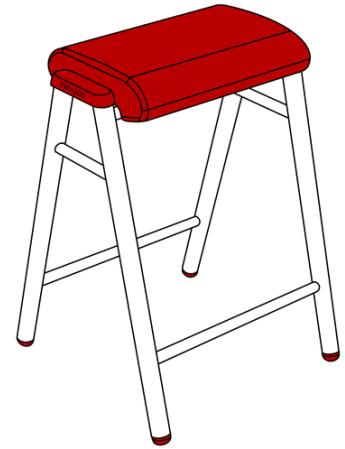


**STANDARD**

Seat and plastic accents come standard in an Onyx (black) finish.



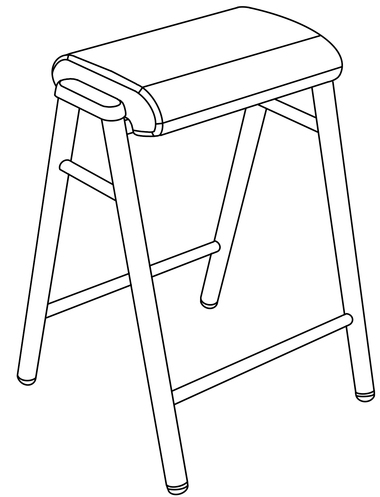
ONYX  
(CO)



**MODEL NUMBERS**

**CYCLE PERCH STOOL**

Model #	Description
CYC-PERCH18	Cycle 18" Perch Stool
CYC-PERCH24	Cycle 24" Perch Stool
CYC-PERCH28	Cycle 28" Perch Stool



**PRODUCT SPECS**

**CYCLE PERCH STOOL**

Model #	Height (in)	Weight (lbs)	Freight Class (Qty 1)
CYC-PERCH18	18	10	200
CYC-PERCH24	24	15	200
CYC-PERCH28	28	15	200