



CYCLE™ SERIES STUDENT DESKS

The way students learn is changing—and their furniture should keep up. The Cycle™ Series Student Desk supports movement, flexibility, and evolving classroom needs—without adding complexity for educators or installers. Available in single and double configurations, it delivers a clean, modern aesthetic with the durability Paragon is known for. Each desk comes standard with a convenient backpack hook, keeping personal items organized and off the floor.



Scan to explore product highlights and key features



**OPTIONAL BOOKBOX,
WATER BOTTLE HOLDER
& CASTERS**



**OPTIONAL BOOKBOX, WATER
BOTTLE HOLDER & CASTERS**

Research-Driven Design

A unique design informed by research showing that the shape, size, color, and texture of furnishings play an important role in priming students to learn more effectively.

Dynamic & Adaptable

Designed for reliability and easy reconfiguration, supporting flexible classroom layouts and evolving instructional needs.

Fast, Intuitive Assembly

Reduces installation time by at least 50% compared to typical student desks.

Tool-Free Height Adjustment

Simple height adjustment with no hardware or tools required, allowing quick adaptation across grade levels.

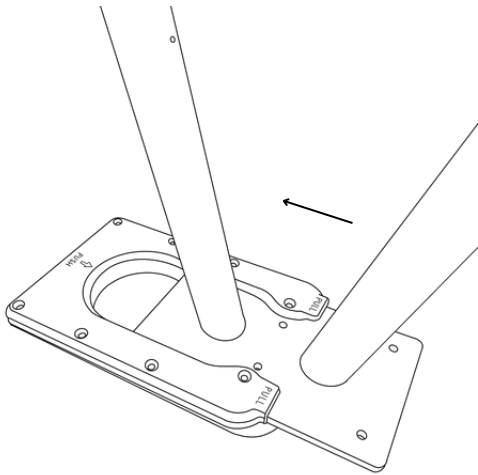
Built to Last

Quality materials and construction, manufactured to the same high standards Paragon is known for and backed by our industry-leading limited warranty.

CYCLE™ SERIES STUDENT DESKS

ENGRAVED HEIGHT GUIDE

Laser-engraved height markings on each leg provide clear visual reference points, making it easy to set and align the desk to the desired height. This simple system removes guesswork during assembly and ensures quick, accurate adjustments every time.

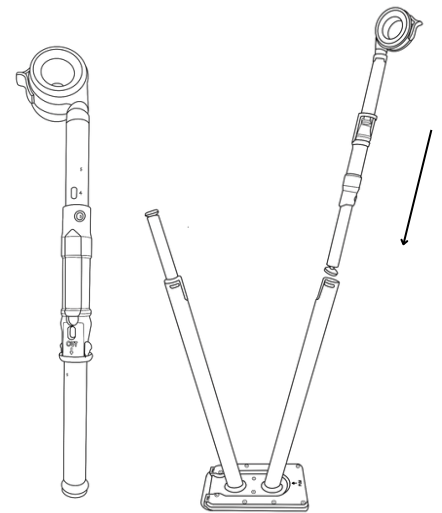


CLICK+SET™

Features the patent pending CLICK+SET™ quick-install mounting system with durable glass-filled nylon leg support brackets. Brackets are factory-installed using six countersunk flathead screws, with two 1" machine screws provided for installation.

GLIDE TO CASTER CONVERSION

The patent pending bezel system allows the lower leg to be easily flipped, revealing two end caps—one designed to accept a glide and the other a caster. This dual-end design allows the desk to quickly convert from a stationary glide base to a mobile caster base without changing components. When not in use, the glide remains attached and rests dormant within the upper leg, keeping it accessible while maintaining a clean, streamlined design.



PARAGON™ FURNITURE

CYCLE DESK HEIGHT GUIDE

HEIGHT SETTING	X	16"	21"	27"
		EH	AH	CH
1	20"	26"	32"	
2	21"	27"	33"	
3	22"	28"	34"	
4	23"	29"	35"	
5	24"	30"	36"	

- LISTED HEIGHTS ARE NOMINAL -

